

L-7103

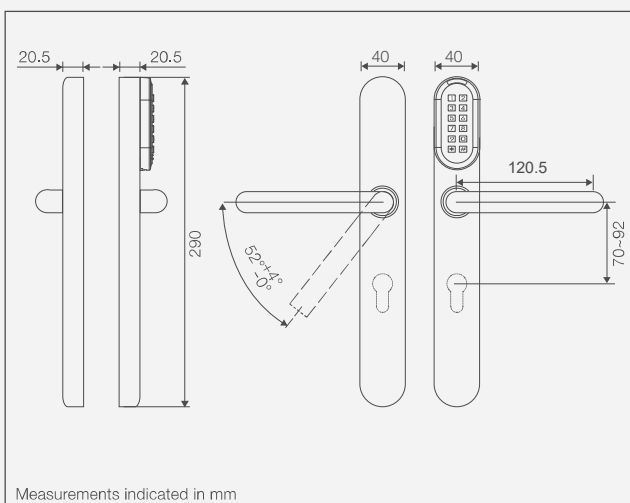
Keypad Electronic Lock

SPECIFICATIONS:

- Axis Distance : 70mm, 72mm, 85mm, 92mm
- Door Thickness: 40mm ~ 120mm
- Two in One : Key Code / Mifare Reader
- Dual Opening Operation (User Code & Card)
- Transponder: Mifare Classic (13.56Mhz)
- Reading Distance up to 30 mm
- Battery Life: 60,000 Operation or 3 Years Standby
- Battery Spec: AAA 1.5V x 3pcs
- Operation Temperature:-20°C ~ 60°C
- Smart Sleep Mode
- Acoustic Low Power Warning
- Total User: 250 (Key code + User card altogether)
- CE Certificate
- External Power Supply for Flat Battery
- **Option:** Mechanical cylinder Hole on Escutcheon for Override

APPLICATION:

WEL-7103	Standalone
----------	------------



Key Override