

L-380

Electronic Lock

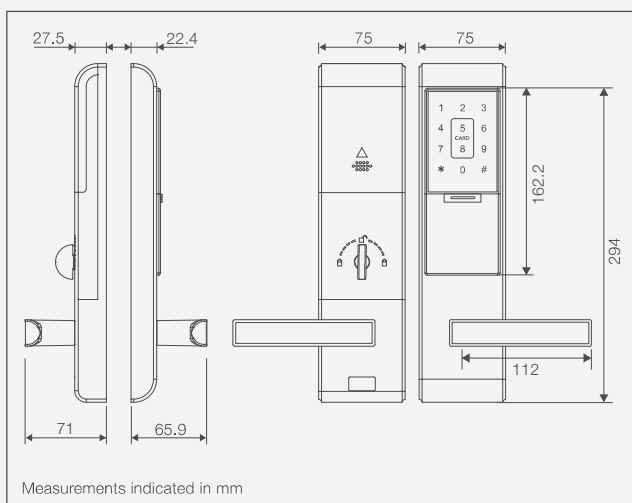


SPECIFICATIONS:

- Door thickness: 38mm ~ 100mm
- Latch & Deadbolt: Solid Brass with Steel Roller
- Anti-panic Exit Function
- Mechanical Key Override
- M-touch Panel keypad + Mifare Reader
- Transponder: Mifare Classic (13.56Mhz)
- Reading Distance up to 30 mm
- Total User Code & Card: 90
- Adjustable Voice Volume
- Battery Life: 60,000 Operation or 2 Years Standby
- Battery Spec: AAA 1.5V x 4pcs
- Smart Sleep Mode
- Acoustic Low Power Warning
- Operation Temperature: -20°C ~ 60°C
- Support 9V External Power Supply
- US ANSI Grade 1 Mortise Lock
- UL 3H Fire Rated Mortise Lock

APPLICATION:

WEL-3800	Standalone
----------	------------



Key Override